

## 25mL Tissue Culture Flasks

### Description

25 mL, Surface Treated or Non-Treated, Plug Seal Cap or Vent Cap, Sterile

### Purpose

For use in applications where cell attachment is desired or not desired

### Materials

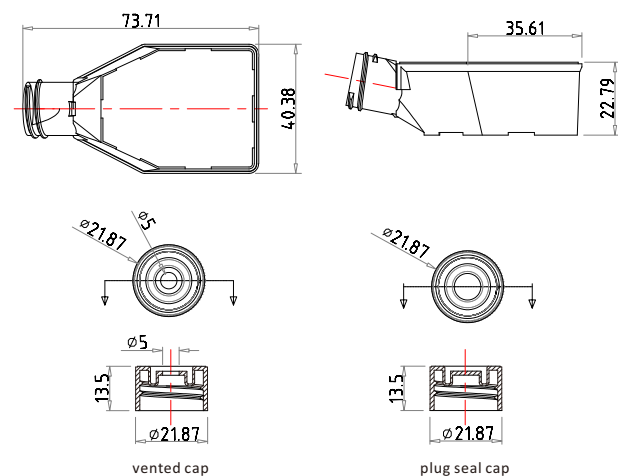
Flask: GPPS (General Polystyrene)

Cap: HDPE (High-density Polyethylene) Color: Light green

Membrane: 0.22 µm Hydrophobic PVDF (only use for Vent Cap)



### Dimensions (Unit: mm)



### Features

- Temperature range: -20°C ~ +50°C
- Available in Surface Treated or Non-Treated
- Vent caps incorporate a 0.22 µm hydrophobic membrane for optimal gas exchange while protecting against contamination
- Special area near the neck for easy mark writing
- Both flask sides have engraved graduation
- Max. working volume: 8 mL
- Recommended Working volume: 2.5 - 3.75 mL
- Growth area: 12.5 cm<sup>2</sup>
- Autoclavability: No
- DNase/RNase free and non-pyrogenic
- Sterilized by irradiation SAL10<sup>-6</sup> (ISO11137)
- Shelf Life: 3 years after month of production
- Manufactured in a class 100,000 room environment
- Manufactured under ISO13485 and ISO9001 quality management system



## 25mL Tissue Culture Flasks

Cat. No.	Capacity	Surface Type	Cap Style	Sterilization	Qty/Bag	Qty/Box	Qty/Case
TCF001025	25 mL	Non-Treated	Plug Seal Cap	Yes	10	50	200
TCF002025	25 mL	Non-Treated	Vent Cap	Yes	10	50	200
TCF011025	25 mL	Surface Treated	Plug Seal Cap	Yes	10	50	200
TCF012025	25 mL	Surface Treated	Vent Cap	Yes	10	50	200

## 50mL Tissue Culture Flasks

### Description

50 mL, Surface Treated or Non-Treated, Plug Seal Cap or Vent Cap, Sterile

### Purpose

For use in applications where cell attachment is desired or not desired

### Materials

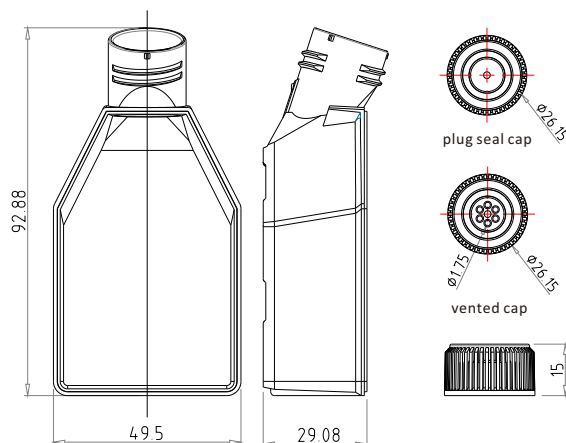
Flask: GPPS (General Polystyrene)

Cap: HDPE (High-density Polyethylene) Color: Light green

Membrane: 0.22 µm Hydrophobic PVDF (only use for Vent Cap)



### Dimensions (Unit: mm)



### Features

- Temperature range: -20°C ~ +50°C
- Available in Surface Treated or Non-Treated
- Vent caps incorporate a 0.22 µm hydrophobic membrane for optimal gas exchange while protecting against contamination
- Special area near the neck for easy mark writing
- Both flask sides have engraved graduation
- Max. Working volume: 17.5 mL
- Recommended Working volume: 5 - 7.5 mL
- Growth area: 25.0 cm<sup>2</sup>
- Autoclavability: No
- DNase/RNase free and non-pyrogenic
- Sterilized by irradiation SAL10<sup>-6</sup> (ISO11137)
- Shelf Life: 3 years after month of production
- Manufactured in a class 100,000 room environment
- Manufactured under ISO13485 and ISO9001 quality management system



## 50mL Tissue Culture Flasks

Cat. No.	Capacity	Surface Type	Cap Style	Sterilization	Qty/Bag	Qty/Box	Qty/Case
TCF001050	50 mL	Non-Treated	Plug Seal Cap	Yes	10	50	200
TCF002050	50 mL	Non-Treated	Vent Cap	Yes	10	50	200
TCF011050	50 mL	Surface Treated	Plug Seal Cap	Yes	10	50	200
TCF012050	50 mL	Surface Treated	Vent Cap	Yes	10	50	200

## 250mL Tissue Culture Flasks

### Description

250 mL, Surface Treated or Non-Treated, Plug Seal Cap or Vent Cap, Sterile

### Purpose

For use in applications where cell attachment is desired or not desired

### Materials

Flask: GPPS (General Polystyrene)

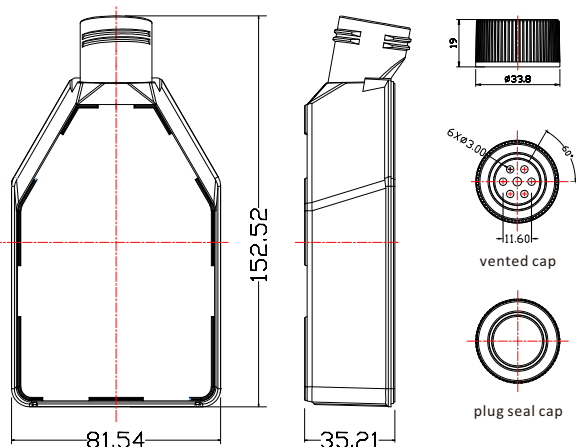
Cap: HDPE (High-density Polyethylene)

Color: Light green

Membrane: 0.22  $\mu$ m Hydrophobic PVDF (only use for Vent Cap)



### Dimensions (Unit: mm)



### Features

- Temperature range: -20°C ~ +50°C
- Available in Surface Treated or Non-Treated
- Vent caps incorporate a 0.22  $\mu$ m hydrophobic membrane for optimal gas exchange while protecting against contamination
- Special area near the neck for easy mark writing
- Both flask sides have engraved graduation
- Max. Working volume: 60 mL
- Recommended Working volume: 15 - 22.5 mL
- Growth area: 75.0 cm<sup>2</sup>
- Autoclavability: No
- DNase/RNase free and non-pyrogenic
- Sterilized by irradiation SAL10<sup>-6</sup> (ISO11137)
- Shelf Life: 3 years after month of production
- Manufactured in a class 100,000 room environment
- Manufactured under ISO13485 and ISO9001 quality management system



STERILE

R

## 250mL Tissue Culture Flasks

Cat. No.	Capacity	Surface Type	Cap Style	Sterilization	Qty/Bag	Qty/Box	Qty/Case
TCF001250	250 mL	Non-Treated	Plug Seal Cap	Yes	5	25	100
TCF002250	250 mL	Non-Treated	Vent Cap	Yes	5	25	100
TCF011250	250 mL	Surface Treated	Plug Seal Cap	Yes	5	25	100
TCF012250	250 mL	Surface Treated	Vent Cap	Yes	5	25	100

## 600mL Tissue Culture Flasks

### Description

600 mL, Surface Treated or Non-Treated, Plug Seal Cap or Vent Cap, Sterile

### Purpose

For use in applications where cell attachment is desired or not desired

### Materials

Flask: GPPS (General Polystyrene)

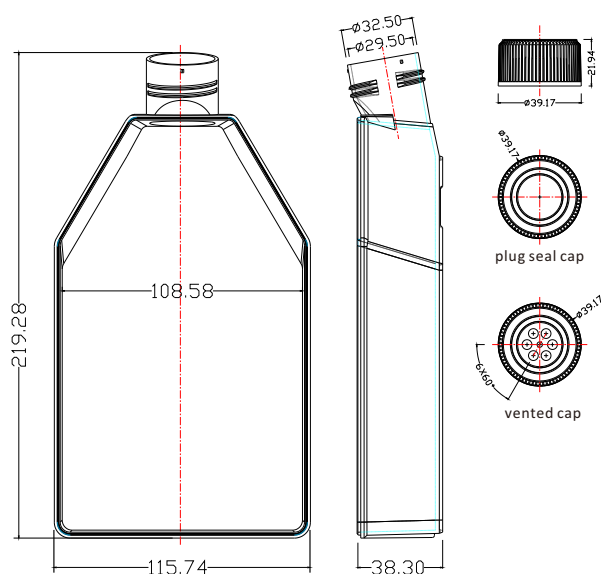
Cap: HDPE (High-density Polyethylene)

Color: Light green

Membrane: 0.22 µm Hydrophobic PVDF (only use for Vent Cap)



### Dimensions (Unit: mm)



### Features

- Temperature range: -20°C ~ +50°C
- Available in Surface Treated or Non-Treated
- Vent caps incorporate a 0.22 µm hydrophobic membrane for optimal gas exchange while protecting against contamination
- Special area near the neck for easy mark writing
- Both flask sides have engraved graduation
- Max. Working volume: 125 mL
- Recommended Working volume: 36.4 - 54.6 mL
- Growth area: 182.0 cm<sup>2</sup>
- Autoclavability: No
- DNase/RNase free and non-pyrogenic
- Sterilized by irradiation SAL10<sup>-6</sup> (ISO11137)
- Shelf Life: 3 years after month of production
- Manufactured in a class 100,000 room environment
- Manufactured under ISO13485 and ISO9001 quality management system



## 600mL Tissue Culture Flasks

Cat. No.	Capacity	Surface Type	Cap Style	Sterilization	Qty/Bag	Qty/Box	Qty/Case
TCF001600	600 mL	Non-Treated	Plug Seal Cap	Yes	5	20	40
TCF002600	600 mL	Non-Treated	Vent Cap	Yes	5	20	40
TCF011600	600 mL	Surface Treated	Plug Seal Cap	Yes	5	20	40
TCF012600	600 mL	Surface Treated	Vent Cap	Yes	5	20	40

## 600mL Extended Tissue Culture Flasks

### Description

600 mL, Extended, Surface Treated or Non-Treated, Plug Seal Cap or Vent Cap, Sterile

### Purpose

For use in applications where cell attachment is desired or not desired

### Materials

Flask: GPPS (General Polystyrene)

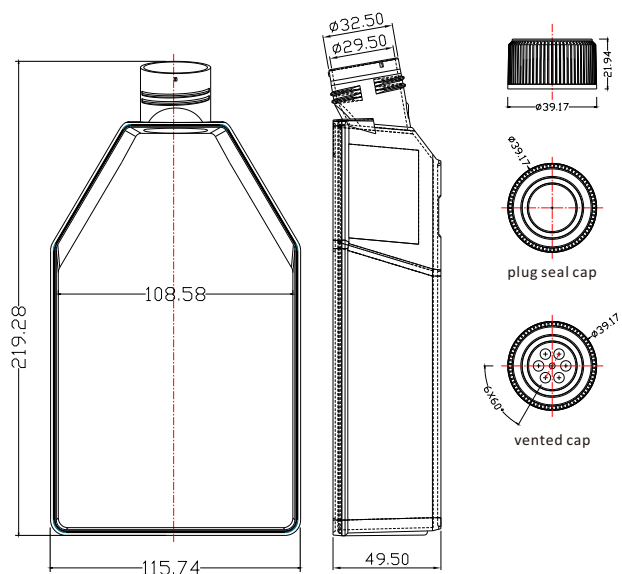
Cap: HDPE (High-density Polyethylene)

Color: Light green

Membrane: 0.22  $\mu$ m Hydrophobic PVDF (only use for Vent Cap)



### Dimensions (Unit: mm)



### Features

- Temperature range: -20°C ~ +50°C
- Extended height reduces the risk of overflowing media
- Available in Surface Treated or Non-Treated
- Vent caps incorporate a 0.22  $\mu$ m hydrophobic membrane for optimal gas exchange while protecting against contamination
- Special area near the neck for easy mark writing
- Both flask sides have engraved graduation
- Max. Working volume: 200 mL
- Recommended Working volume: 36.4 - 54.6 mL
- Growth area: 182.0 cm<sup>2</sup>
- Autoclavability: No
- DNase/RNase free and non-pyrogenic
- Sterilized by irradiation SAL10<sup>-6</sup> (ISO11137)
- Shelf Life: 3 years after month of production
- Manufactured in a class 100,000 room environment
- Manufactured under ISO13485 and ISO9001 quality management system



## 600mL Extended Tissue Culture Flasks

Cat. No.	Capacity	Surface Type	Cap Style	Sterilization	Qty/Bag	Qty/Box	Qty/Case
TCF101600	600 mL	Non-Treated	Plug Seal Cap	Yes	5	20	40
TCF102600	600 mL	Non-Treated	Vent Cap	Yes	5	20	40
TCF111600	600 mL	Surface Treated	Plug Seal Cap	Yes	5	20	40
TCF112600	600 mL	Surface Treated	Vent Cap	Yes	5	20	40

## 850mL Tissue Culture Flasks

### Description

850 mL, Surface Treated or Non-Treated, Plug Seal Cap or Vent Cap, Sterile

### Purpose

For use in applications where cell attachment is desired or not desired

### Materials

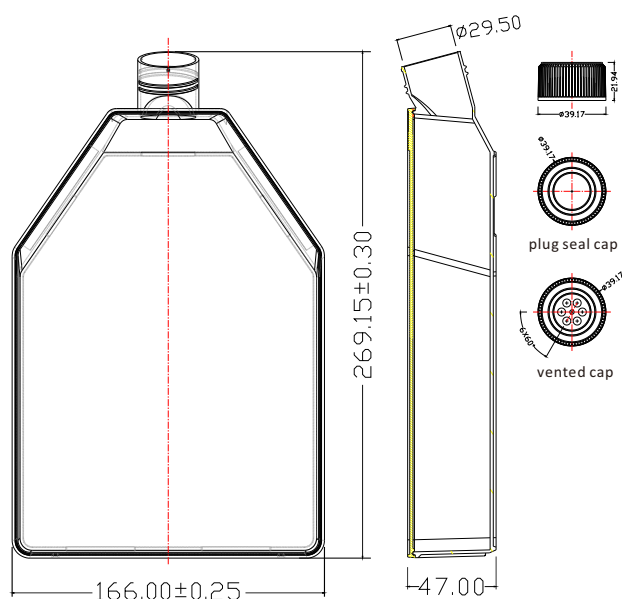
Flask: GPPS (General Polystyrene)

Cap: HDPE (High-density Polyethylene)      Color: Light green

Membrane: 0.22 µm Hydrophobic PVDF (only use for Vent Cap)



### Dimensions (Unit: mm)



### Features

- Temperature range: -20°C ~ +50°C
- Available in Surface Treated or Non-Treated
- Vent caps incorporate a 0.22 µm hydrophobic membrane for optimal gas exchange while protecting against contamination
- Special area near the neck for easy mark writing
- Both flask sides have engraved graduation
- Max. Working volume: 200 mL
- Recommended Working volume: 60 - 90 mL
- Growth area: 300.0 cm<sup>2</sup>
- Autoclavability: No
- DNase/RNase free and non-pyrogenic
- Sterilized by irradiation SAL10<sup>-6</sup> (ISO11137)
- Shelf Life: 3 years after month of production
- Manufactured in a class 100,000 room environment
- Manufactured under ISO13485 and ISO9001 quality management system



## 850mL Tissue Culture Flasks

Cat. No.	Capacity	Surface Type	Cap Style	Sterilization	Qty/Bag	Qty/Box	Qty/Case
TCF001850	850 mL	Non-Treated	Plug Seal Cap	Yes	3	9	18
TCF002850	850 mL	Non-Treated	Vent Cap	Yes	3	9	18
TCF011850	850 mL	Surface Treated	Plug Seal Cap	Yes	3	9	18
TCF012850	850 mL	Surface Treated	Vent Cap	Yes	3	9	18