



# BIOFIL®

Document Number

Revision

Page

Date

TAB001

A0

1 of 1

11-06-2019

## PRODUCT DATA SHEET

## Erlenmeyer Shaker Flasks



### 125mL Erlenmeyer Shaker Flasks

**Description:** 125mL, with Plug Seal Cap or Vent Cap, Sterile

**Purpose:** Ideal for shaker culture applications and storage

#### Materials

Flask: PETG (Polyethylene Terephthalate Glycol)/PC (Polycarbonate)

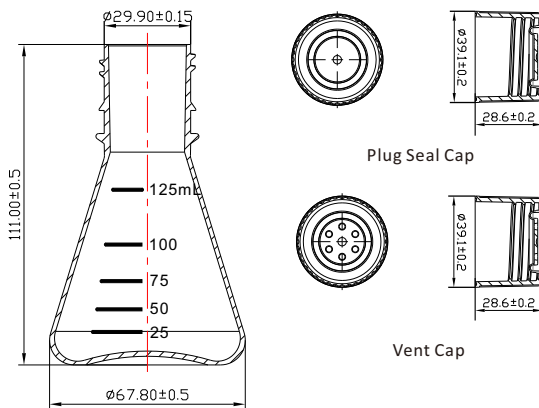
Cap: HDPE (High-density Polyethylene)

Membrane: 0.22µm Hydrophobic (Only use for Vent Cap)

#### Features

- Temperature range for PC Flasks: -80°C to +121°C
- Temperature range for PETG Flasks: -60°C to +60°C
- Polycarbonate provides excellent optical clarity and mechanical strength
- Crystal-clear PETG is robust and break resistant, increasing personal safety
- Unlike glass, flasks will not break when dropped
- Molded-in graduations for accuracy
- Available with plug seal cap or vent cap
- Vent cap option for continuous gas exchange while ensuring sterility and preventing leakage
- Individually packaged
- non-cytotoxic
- DNase/RNase free and non-pyrogenic
- Sterilized by ebeam or gamma irradiation SAL10<sup>-6</sup> (ISO11137)
- Shelf Life: 3 years after month of production
- Manufactured in a class 100,000 room environment
- Manufactured under ISO13485 and ISO9001 quality management system

#### Dimensions (Unit:mm)



STERILE

R

### 125mL Erlenmeyer Shaker Flasks

Cat. No.	Capacity (mL)	Flask Material	Flask Color	Cap Style	Cap Color	Sterilization	Packaging Configuration
TAB001125	125mL	PC	Clear	Plug Seal Cap	Green	Yes	1/PK, 24/CS
TAB002125	125mL	PC	Clear	Vent Cap	Green	Yes	1/PK, 24/CS
TAB101125	125mL	PETG	Clear	Plug Seal Cap	Green	Yes	1/PK, 24/CS
TAB102125	125mL	PETG	Clear	Vent Cap	Green	Yes	1/PK, 24/CS

Industriestrasse 12  
CH-6210 Sursee  
mail@witec.ch  
T 041 250 53 57

**witec**  
experts in life science products



## PRODUCT DATA SHEET

## Erlenmeyer Shaker Flasks



### 250mL Erlenmeyer Shaker Flasks

**Description:** 250mL, with Plug Seal Cap or Vent Cap, Sterile

**Purpose:** Ideal for shaker culture applications and storage

#### Materials

Flask: PETG (Polyethylene Terephthalate Glycol)/PC (Polycarbonate)

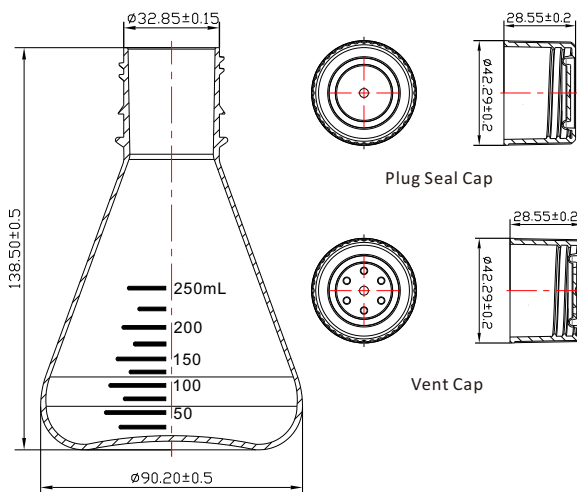
Cap: HDPE (High-density Polyethylene)

Membrane: 0.22µm Hydrophobic (Only use for Vent Cap)

#### Features

- Temperature range for PC Flasks: -80°C to +121°C
- Temperature range for PETG Flasks: -60°C to +60°C
- Polycarbonate provides excellent optical clarity and mechanical strength
- Crystal-clear PETG is robust and break resistant, increasing personal safety
- Unlike glass, flasks will not break when dropped
- Molded-in graduations for accuracy
- Available with plug seal cap or vent cap
- Vent cap option for continuous gas exchange while ensuring sterility and preventing leakage
- Individually packaged
- non-cytotoxic
- DNase/RNase free and non-pyrogenic
- Sterilized by ebeam or gamma irradiation SAL10<sup>-6</sup> (ISO11137)
- Shelf Life: 3 years after month of production
- Manufactured in a class 100,000 room environment
- Manufactured under ISO13485 and ISO9001 quality management system

#### Dimensions (Unit:mm)



STERILE

R

### 250mL Erlenmeyer Shaker Flasks

Cat. No.	Capacity (mL)	Flask Material	Flask Color	Cap Style	Cap Color	Sterilization	Packaging Configuration
TAB001250	250mL	PC	Clear	Plug Seal Cap	Green	Yes	1/PK, 12/CS
TAB002250	250mL	PC	Clear	Vent Cap	Green	Yes	1/PK, 12/CS
TAB101250	250mL	PETG	Clear	Plug Seal Cap	Green	Yes	1/PK, 12/CS
TAB102250	250mL	PETG	Clear	Vent Cap	Green	Yes	1/PK, 12/CS



## PRODUCT DATA SHEET

## Erlenmeyer Shaker Flasks



### 500mL Erlenmeyer Shaker Flasks

**Description:** 500mL, with Plug Seal Cap or Vent Cap, Sterile

**Purpose:** Ideal for shaker culture applications and storage

#### Materials

Flask: PETG (Polyethylene Terephthalate Glycol)/PC (Polycarbonate)

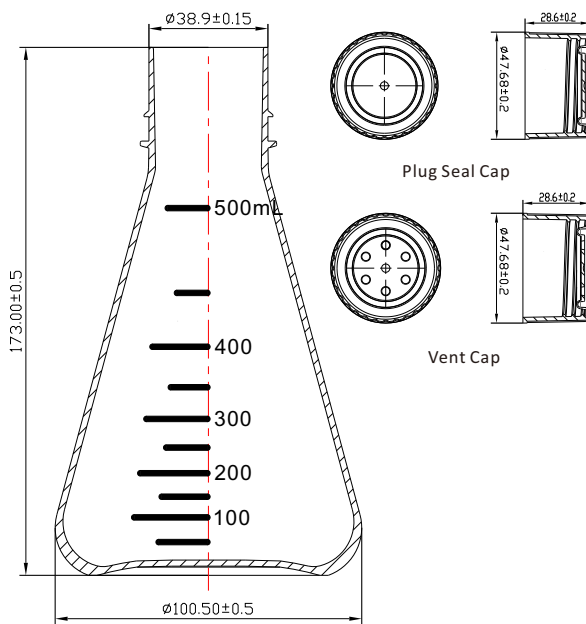
Cap: HDPE (High-density Polyethylene)

Membrane: 0.22µm Hydrophobic (Only use for Vent Cap)

#### Features

- Temperature range for PC Flasks: -80°C to +121°C
- Temperature range for PETG Flasks: -60°C to +60°C
- Polycarbonate provides excellent optical clarity and mechanical strength
- Crystal-clear PETG is robust and break resistant, increasing personal safety
- Unlike glass, flasks will not break when dropped
- Molded-in graduations for accuracy
- Available with plug seal cap or vent cap
- Vent cap option for continuous gas exchange while ensuring sterility and preventing leakage
- Individually packaged
- non-cytotoxic
- DNase/RNase free and non-pyrogenic
- Sterilized by ebeam or gamma irradiation SAL10<sup>-6</sup> (ISO11137)
- Shelf Life: 3 years after month of production
- Manufactured in a class 100,000 room environment
- Manufactured under ISO13485 and ISO9001 quality management system

#### Dimensions (Unit:mm)



STERILE

R

### 500mL Erlenmeyer Shaker Flasks

Cat. No.	Capacity (mL)	Flask Material	Flask Color	Cap Style	Cap Color	Sterilization	Packaging Configuration
TAB001500	500mL	PC	Clear	Plug Seal Cap	Green	Yes	1/PK, 12/CS
TAB002500	500mL	PC	Clear	Vent Cap	Green	Yes	1/PK, 12/CS
TAB101500	500mL	PETG	Clear	Plug Seal Cap	Green	Yes	1/PK, 12/CS
TAB102500	500mL	PETG	Clear	Vent Cap	Green	Yes	1/PK, 12/CS



## PRODUCT DATA SHEET

## Erlenmeyer Shaker Flasks



### 1000mL Erlenmeyer Shaker Flasks

**Description:** 1000mL, with Plug Seal Cap or Vent Cap, Sterile

**Purpose:** Ideal for shaker culture applications and storage

#### Materials

Flask: PETG (Polyethylene Terephthalate Glycol)/PC (Polycarbonate)

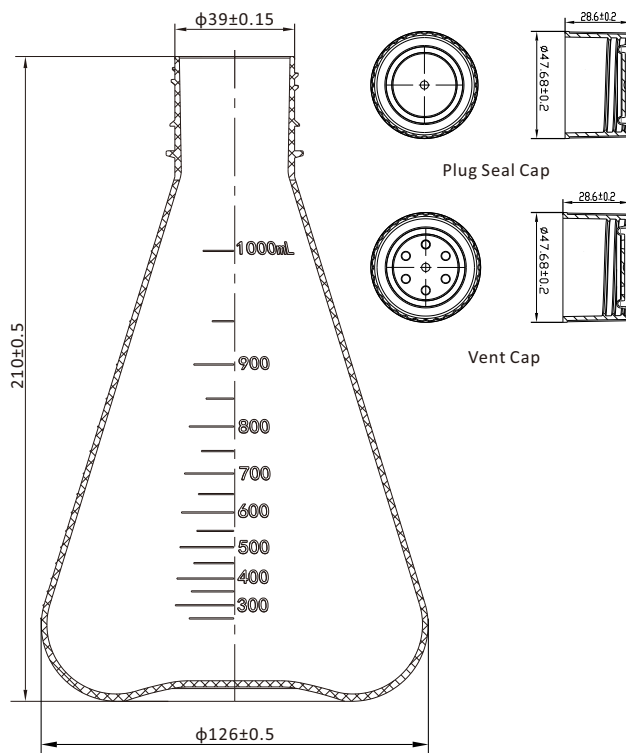
Cap: HDPE (High-density Polyethylene)

Membrane: 0.22µm Hydrophobic (Only use for Vent Cap)

#### Features

- Temperature range for PC Flasks: -80°C to +121°C
- Temperature range for PETG Flasks: -60°C to +60°C
- Polycarbonate provides excellent optical clarity and mechanical strength
- Crystal-clear PETG is robust and break resistant, increasing personal safety
- Unlike glass, flasks will not break when dropped
- Molded-in graduations for accuracy
- Available with plug seal cap or vent cap
- Vent cap option for continuous gas exchange while ensuring sterility and preventing leakage
- Individually packaged
- non-cytotoxic
- DNase/RNase free and non-pyrogenic
- Sterilized by ebeam or gamma irradiation SAL10<sup>-6</sup> (ISO11137)
- Shelf Life: 3 years after month of production
- Manufactured in a class 100,000 room environment
- Manufactured under ISO13485 and ISO9001 quality management system

#### Dimensions (Unit:mm)

**STERILE****R**

### 1000mL Erlenmeyer Shaker Flasks

Cat. No.	Capacity (mL)	Flask Material	Flask Color	Cap Style	Cap Color	Sterilization	Packaging Configuration
TAB001000	1000mL	PC	Clear	Plug Seal Cap	Green	Yes	1/PK, 24/CS
TAB002000	1000mL	PC	Clear	Vent Cap	Green	Yes	1/PK, 24/CS
TAB101000	1000mL	PETG	Clear	Plug Seal Cap	Green	Yes	1/PK, 24/CS
TAB102000	1000mL	PETG	Clear	Vent Cap	Green	Yes	1/PK, 24/CS