

## 500mL Centrifuge Bottles

### Description

500 mL, Conical Bottom, Flat Cap, Sterile

### Purpose

Popular in samples centrifuging or storage in many research area

### Materials

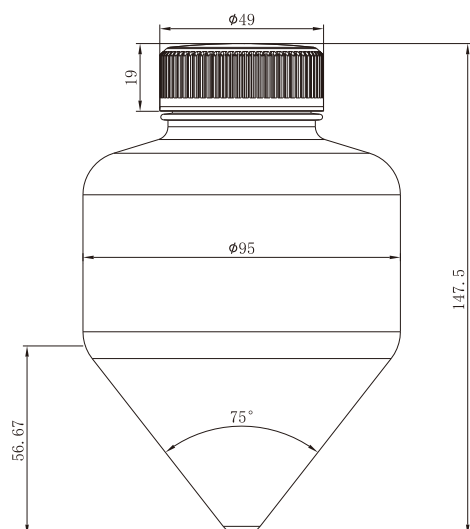
Bottle: PP (Polypropylene)

Cap: HDPE (High-density Polyethylene)

Color: Light green



### Dimensions (Unit: mm)

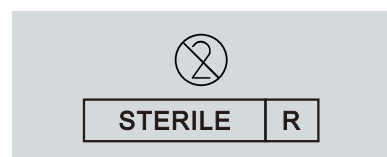


### Features

- Autoclavable at 121°C and freezable to -80°C
- Easy to read engraved graduation
- Maximum RCF up to 6,000 x g
- Leak-proof
- DNase/RNase free
- Non-pyrogenic
- The recommended working volume is 80% of the bottle capacity
- Sterilized by irradiation SAL10<sup>-6</sup> (ISO11137)
- Shelf Life: 3 years after month of production
- Manufactured in a class 100,000 room environment
- Manufactured under ISO13485 and ISO9001 quality management system

### 500mL Centrifuge Bottle Cushion

No.	Brand name	Cat. No.
1	Corning	431124



## 500mL Centrifuge Bottles

Cat. No.	Capacity	Bottom Style	Cap Style	Sterilization	Packaging Configuration
CFT041500	500 mL	Conical	Flat Cap	Yes	6/bag, 36/case